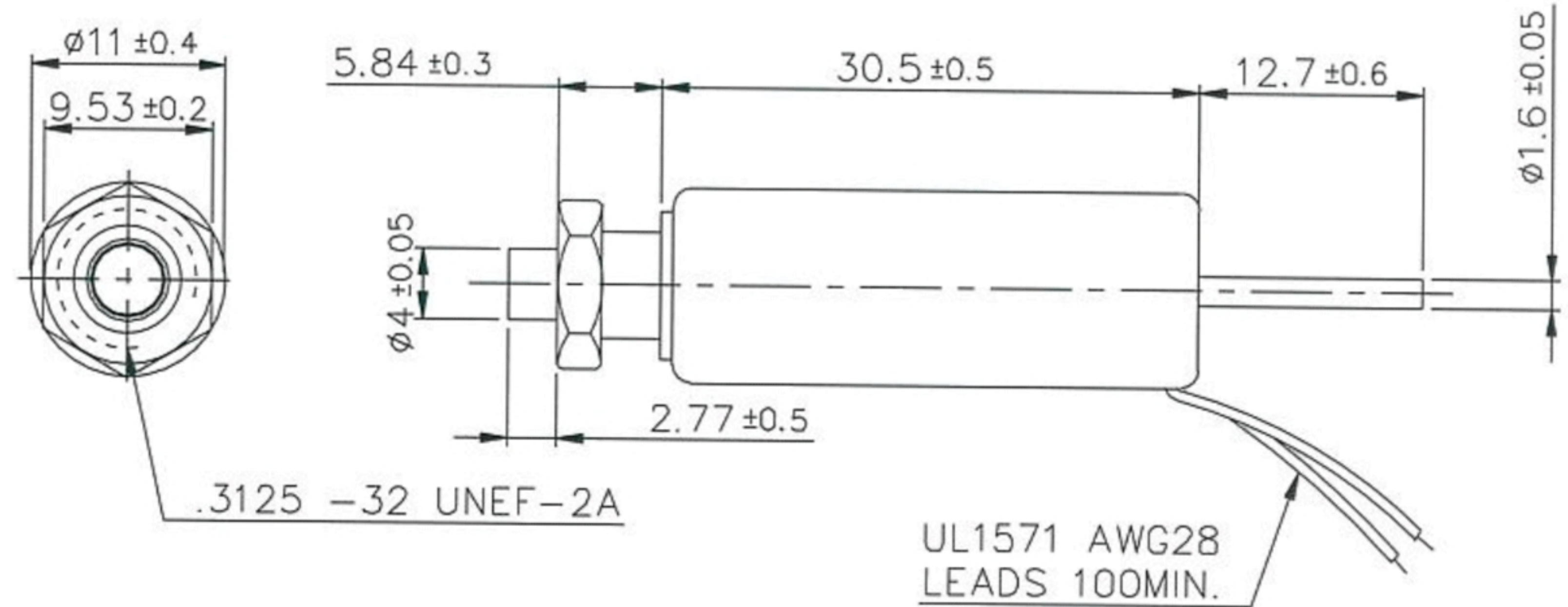
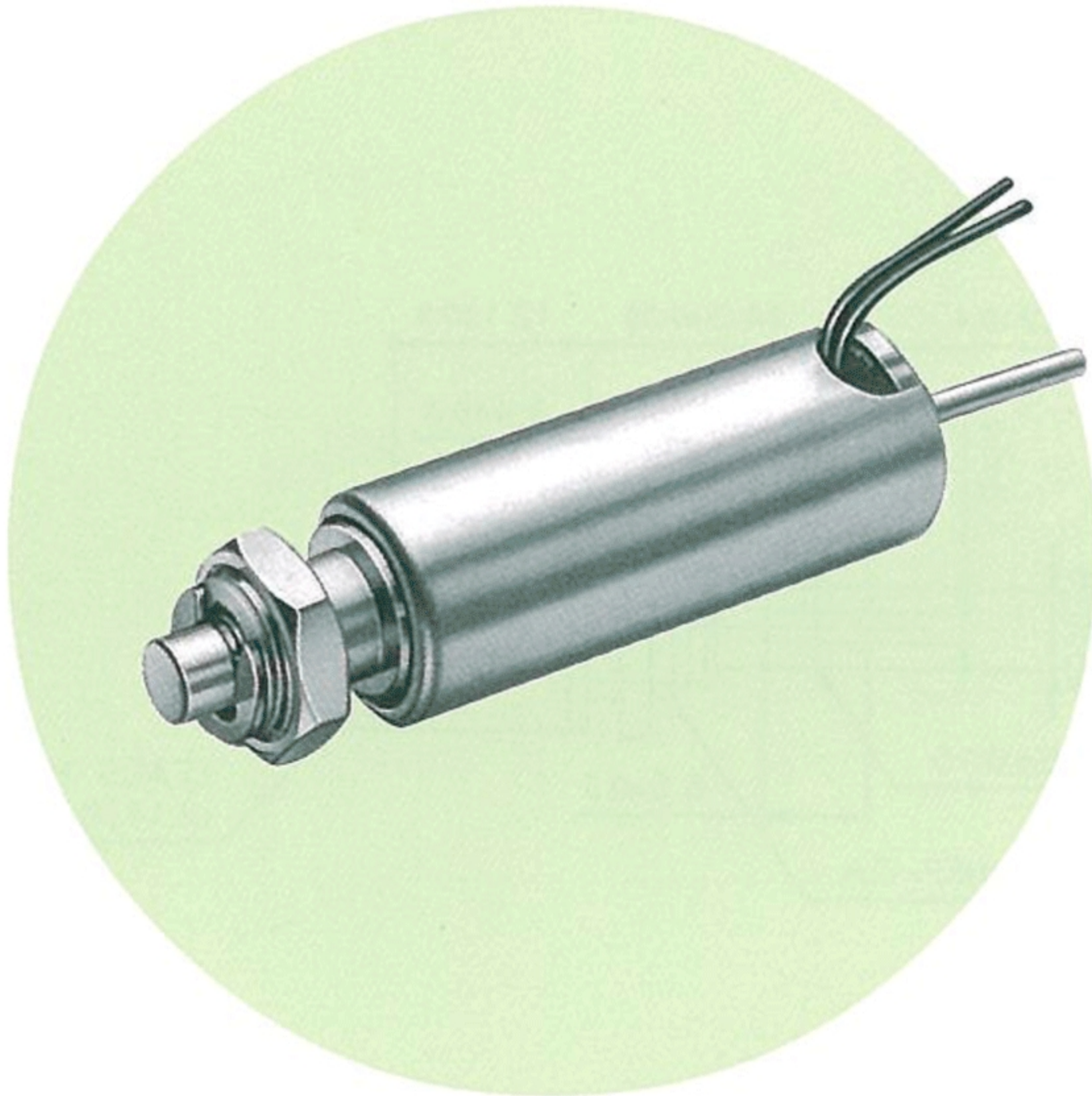


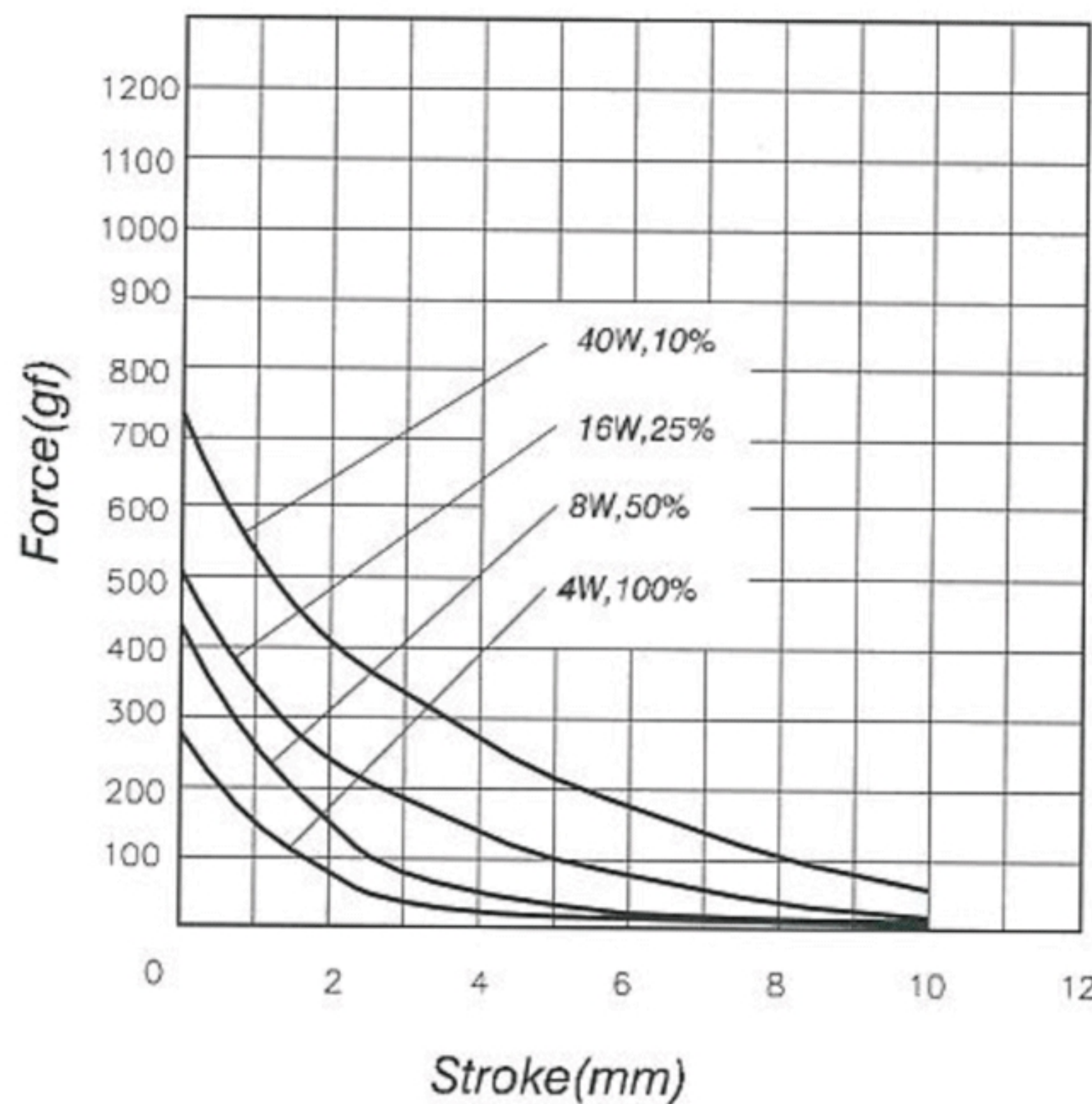
## 型号/Type no: HTT-1130S



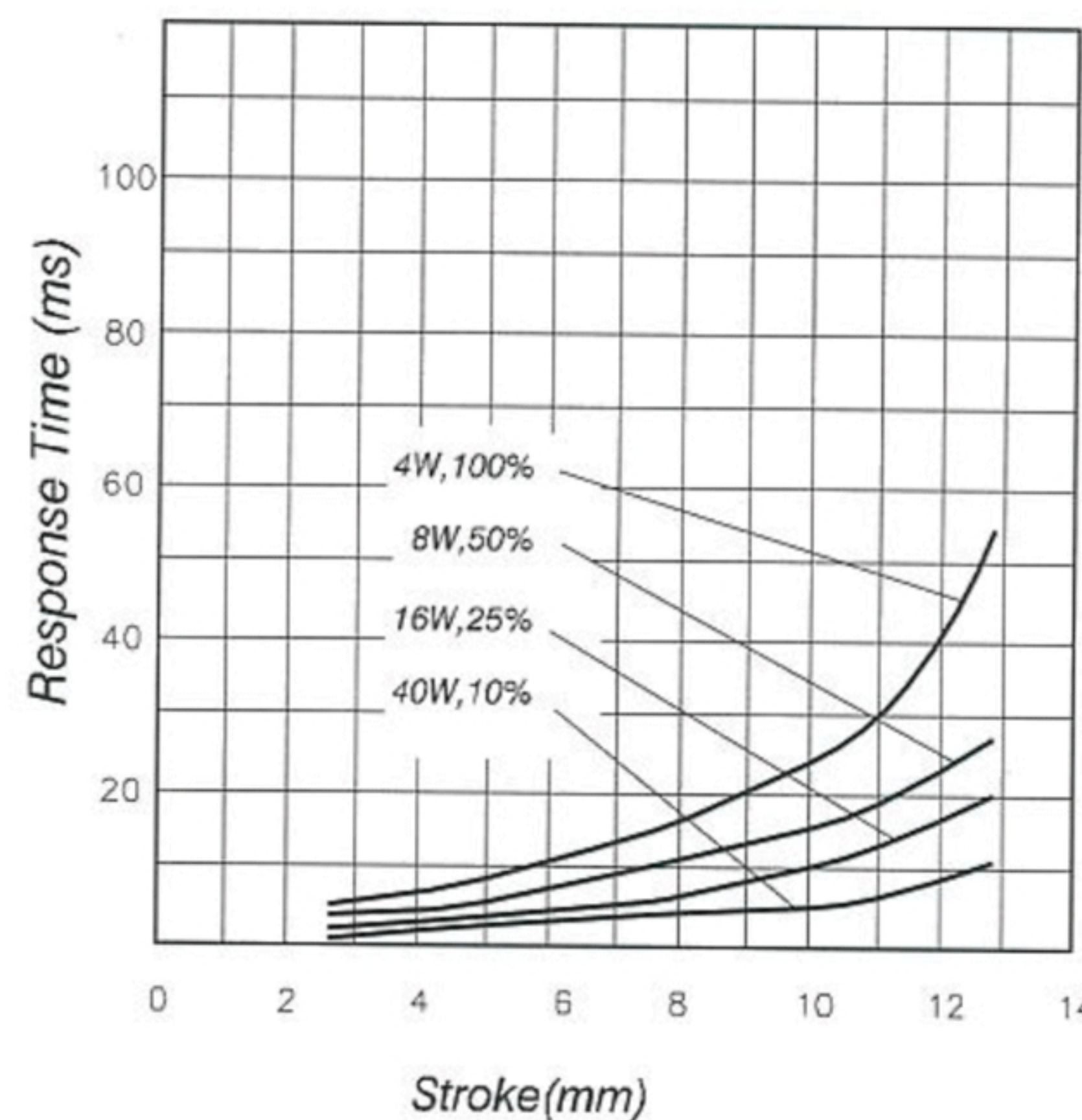
Plunger Weight 可动铁心重量 : 3.2g  
Total Weight 总重量 : 17g

Shown Energized 通电状态 UNIT 单位: mm

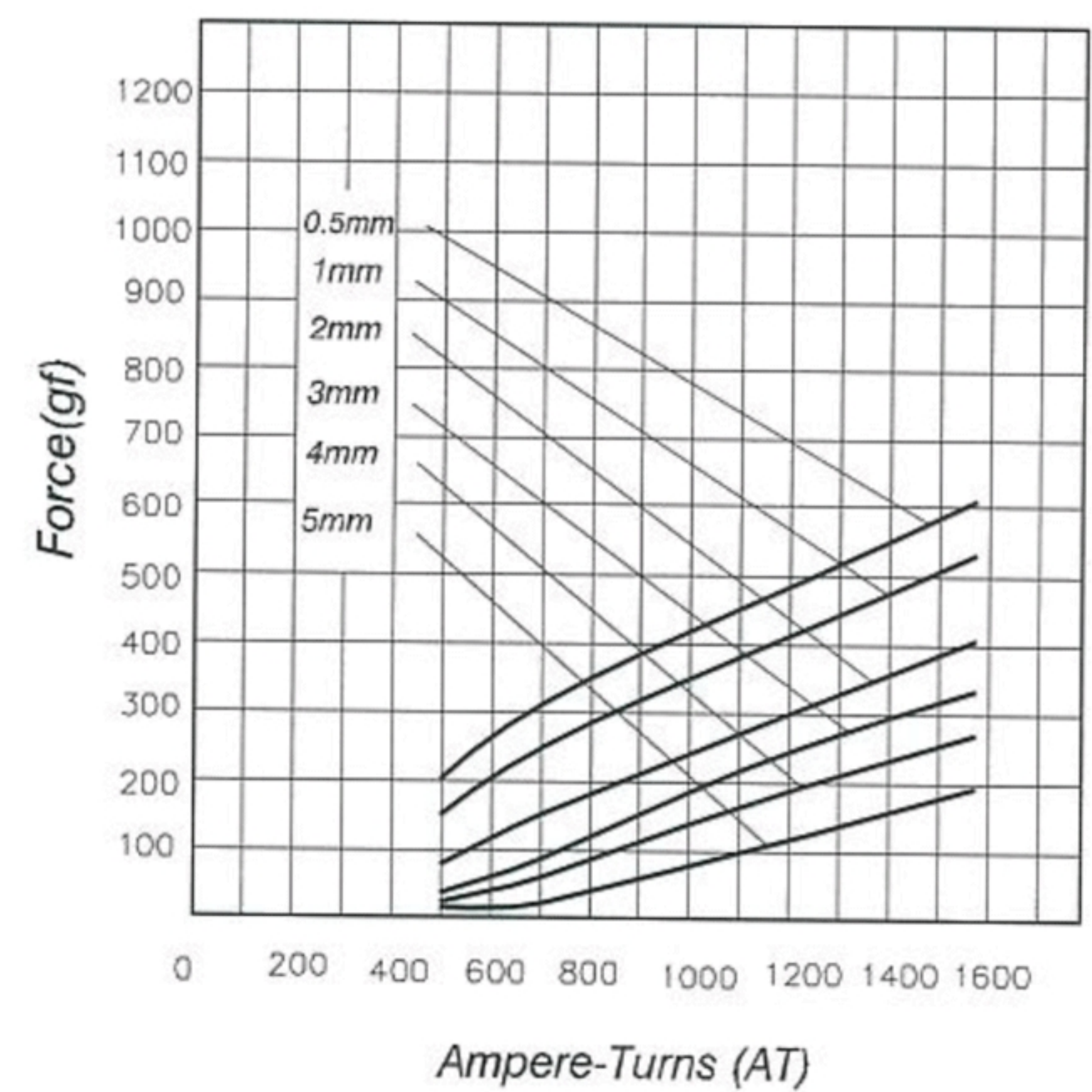
### STROKE Vs FORCE 行程 / 吸引力



### STROKE Vs RESPONSE TIME 行程 / 反应时间



### AMPERE-TURNS Vs FORCE 安-匝 / 吸引力



### COIL DATA 线圈资料

Heat Sink: 25 × 25 × 3mm (aluminum)  
散热片: 25 × 25 × 3mm (铝)

Duty cycle (%) = $\frac{\text{"ON" time}}{\text{"ON" time} + \text{"OFF" time}} \times 100\%$		Continuous (100%)	Or less (50%)	Or less (25%)	Or less (10%)
作动周期(%) = $\frac{\text{ON 时间}}{\text{ON 时间} + \text{OFF 时间}} \times 100\%$		连续 (100%)	间断 (50%)	间断 (25%)	间断 (10%)
MAX. "on" time in seconds 最大 ON 时间 (秒)		∞	50	5	2
Watts at 20°C 瓦特数(W) (在 20°C)		4	8	16	40
Ampere-turns at 20°C AT 值 (在 20°C)		497	704	994	1573
Type no.	Resistance (20°C) Ω ± 10%	No. turns	Volts DC 电压		
型号	阻值 (Ω) ± 10%	绕线圈数			
HTT-1130S06AA	9	745	6	8.5	12
HTT-1130S12AA	36	1492	12	17	24
HTT-1130S24AA	144	2972	24	34	48
HTT-1130S48AA	576	5850	48	68	96