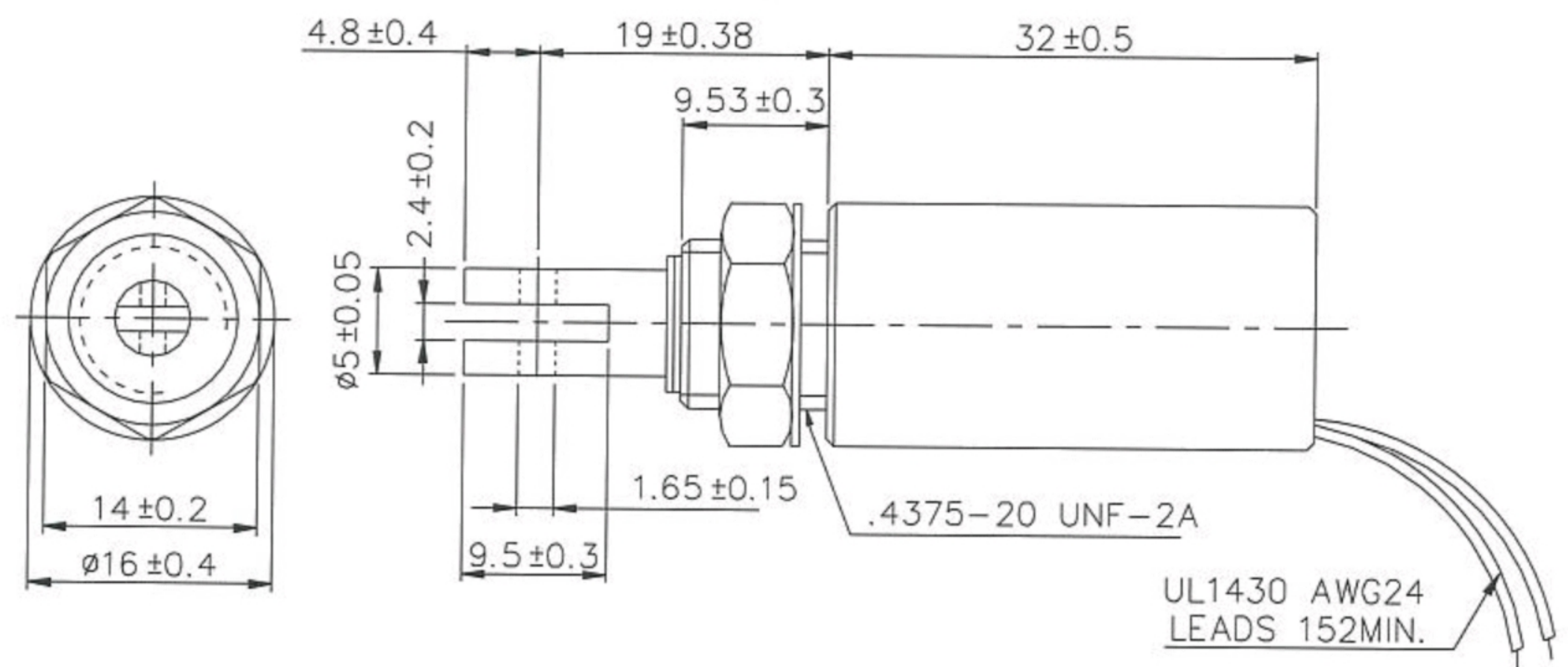
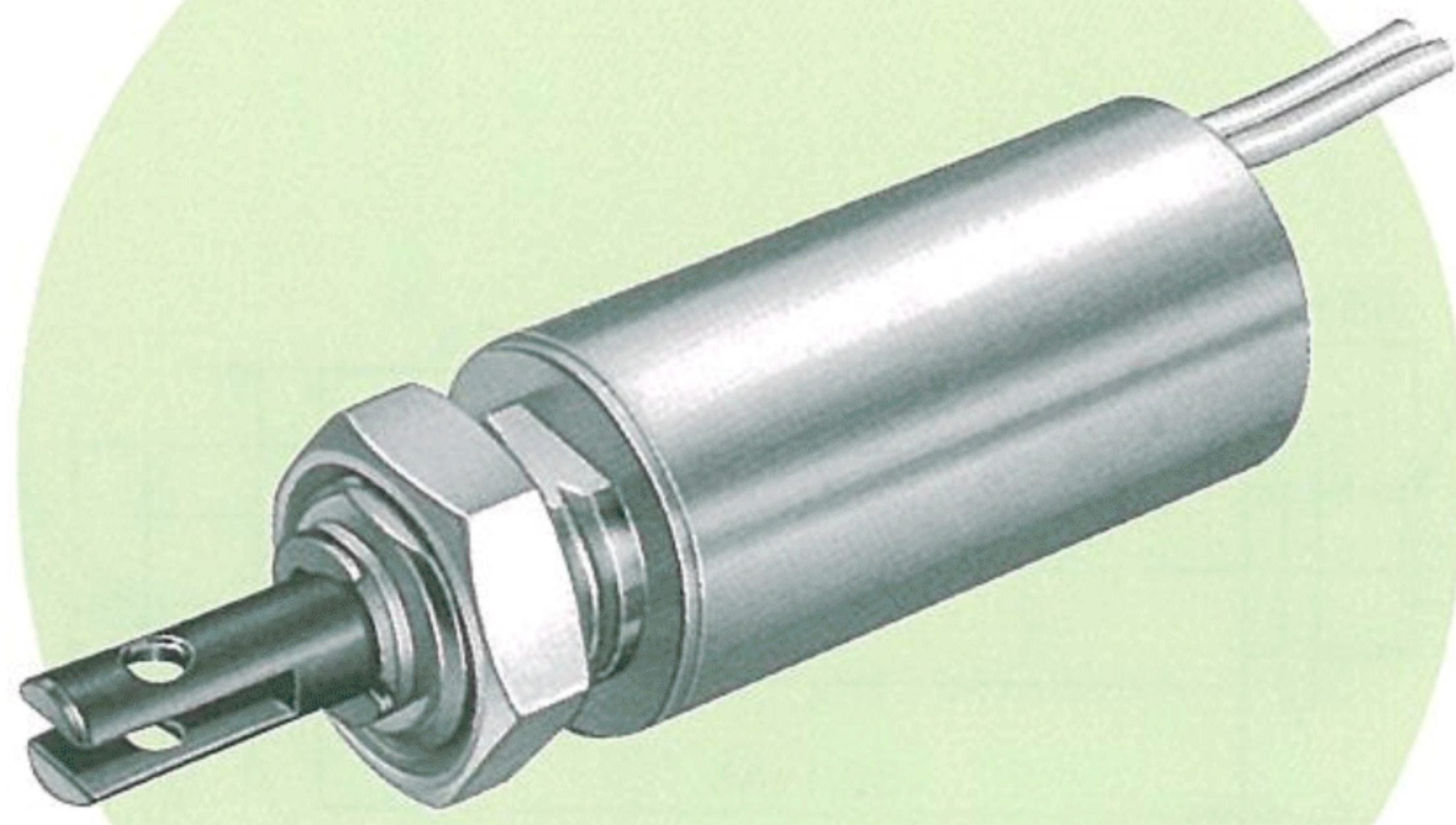


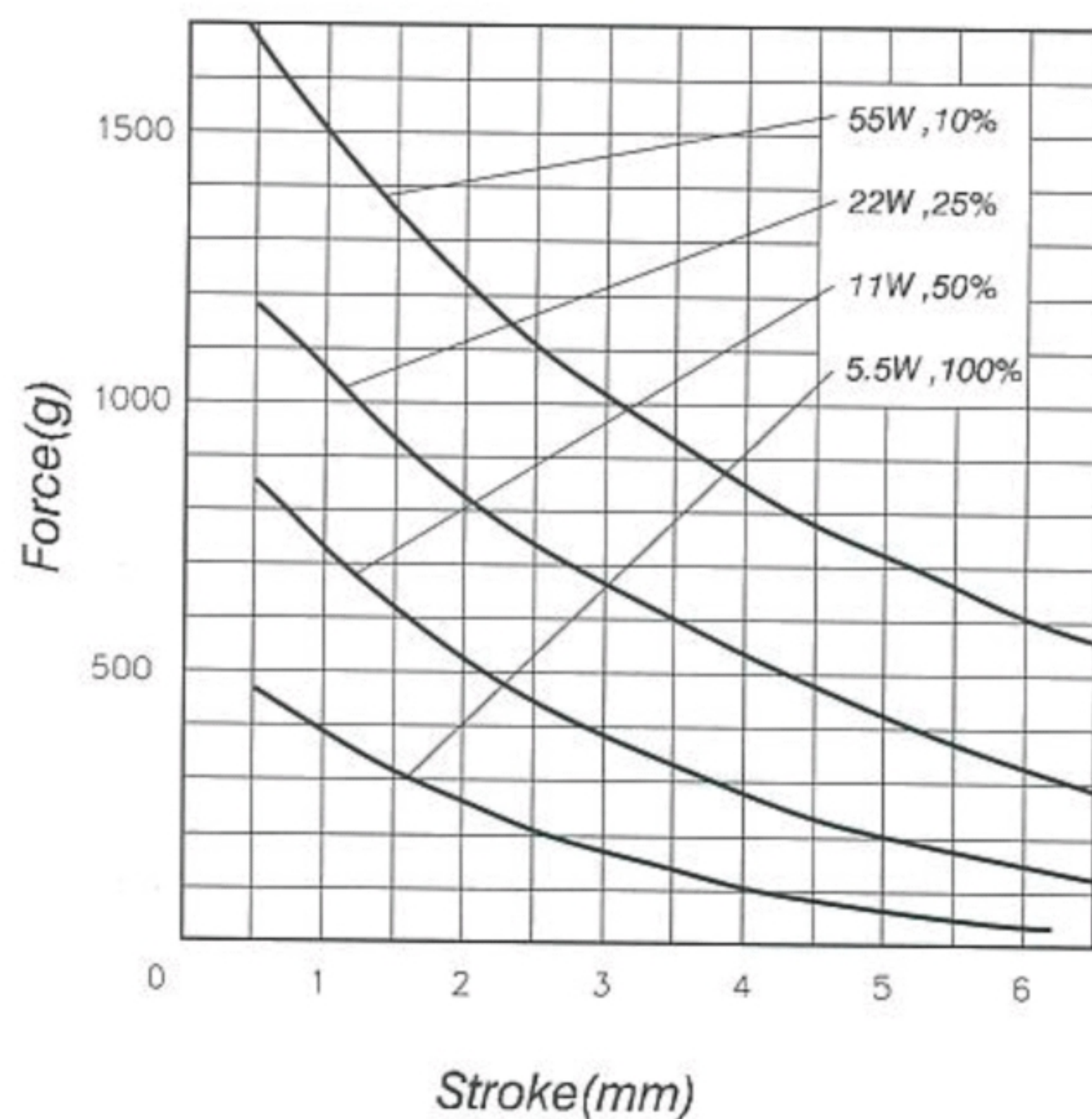
型号/Type no: HTT-1623L



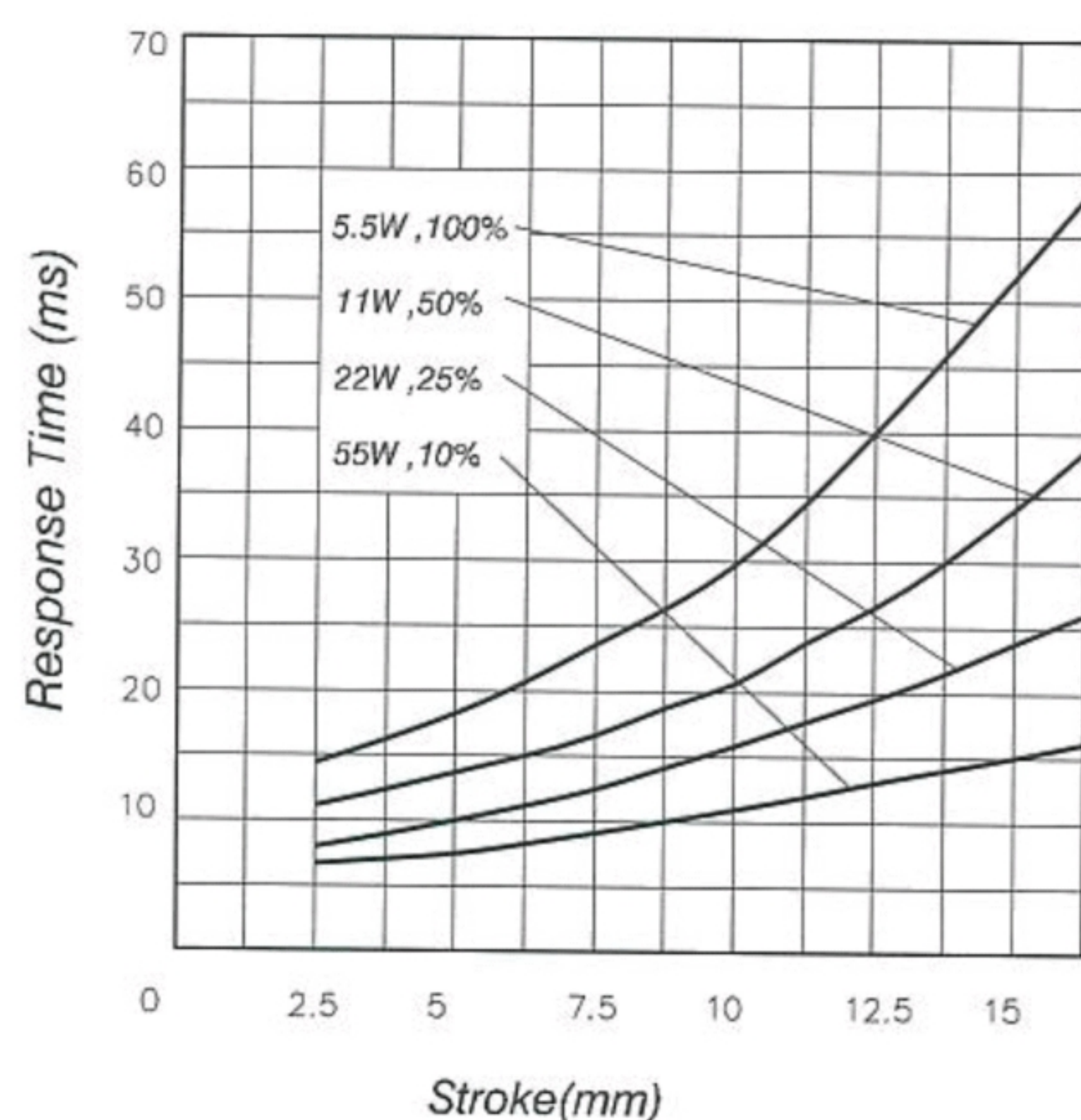
Plunger Weight 可动铁心重量 : 6.5g
Total Weight 总重量 : 47g

Shown Energized 通电状态 UNIT 单位 : mm

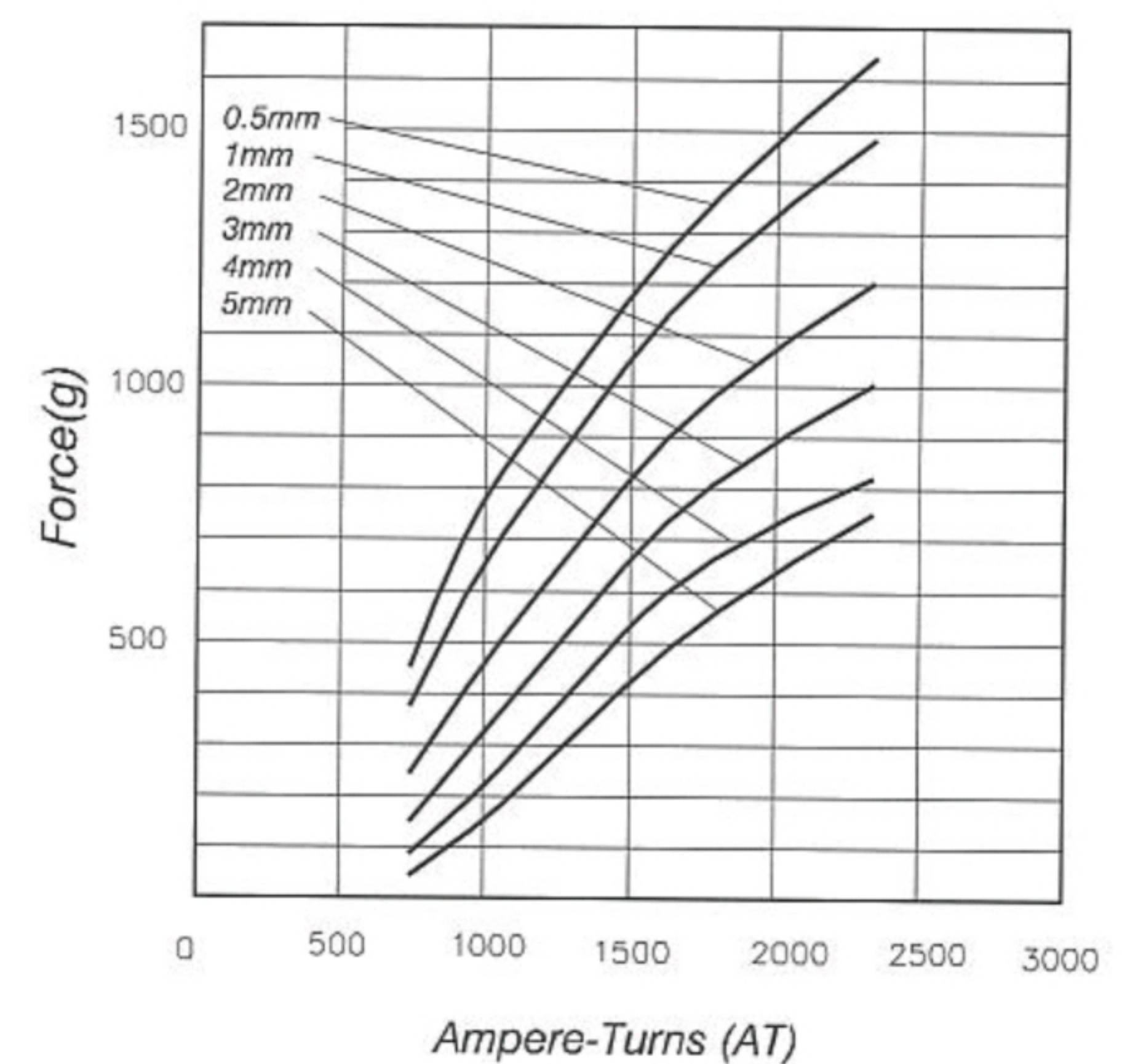
STROKE Vs FORCE 行程 / 吸引力



STROKE Vs RESPONSE TIME 行程 / 反应时间



AMPERE-TURNS Vs FORCE 安-匝 / 吸引力



COIL DATA 线圈资料

Heat Sink: 50 × 50 × 3mm (aluminum)
散热片: 50 × 50 × 3mm (铝)

Duty cycle (%) = $\frac{\text{"ON" time}}{\text{"ON" time} + \text{"OFF" time}} \times 100\%$	Continuous (100%)	Or less (50%)	Or less (25%)	Or less (10%)		
作动周期(%) = $\frac{\text{ON 时间}}{\text{ON 时间} + \text{OFF 时间}} \times 100\%$	连续 (100%)	间断 (50%)	间断 (25%)	间断 (10%)		
MAX. "on" time in seconds 最大ON时间(秒)	∞	230	25	6		
Watts at 20°C 瓦特数(W) (在20°C)	5.5	11	22	55		
Ampere-turns at 20°C AT值 (在20°C)	738	1058	1476	2338		
Type no.	Resistance (20°C) Ω ± 10%	No. turns	Volts DC			
型号	阻值 (Ω) ± 10%	绕线圈数	电压			
HTT-1632S06AA	6.5	800	6	8.5	12	19
HTT-1632S12AA	26.2	1600	12	17	24	38
HTT-1632S24AA	104.7	3200	24	34	48	76
HTT-1632S48AA	419	6200	48	68	96	152