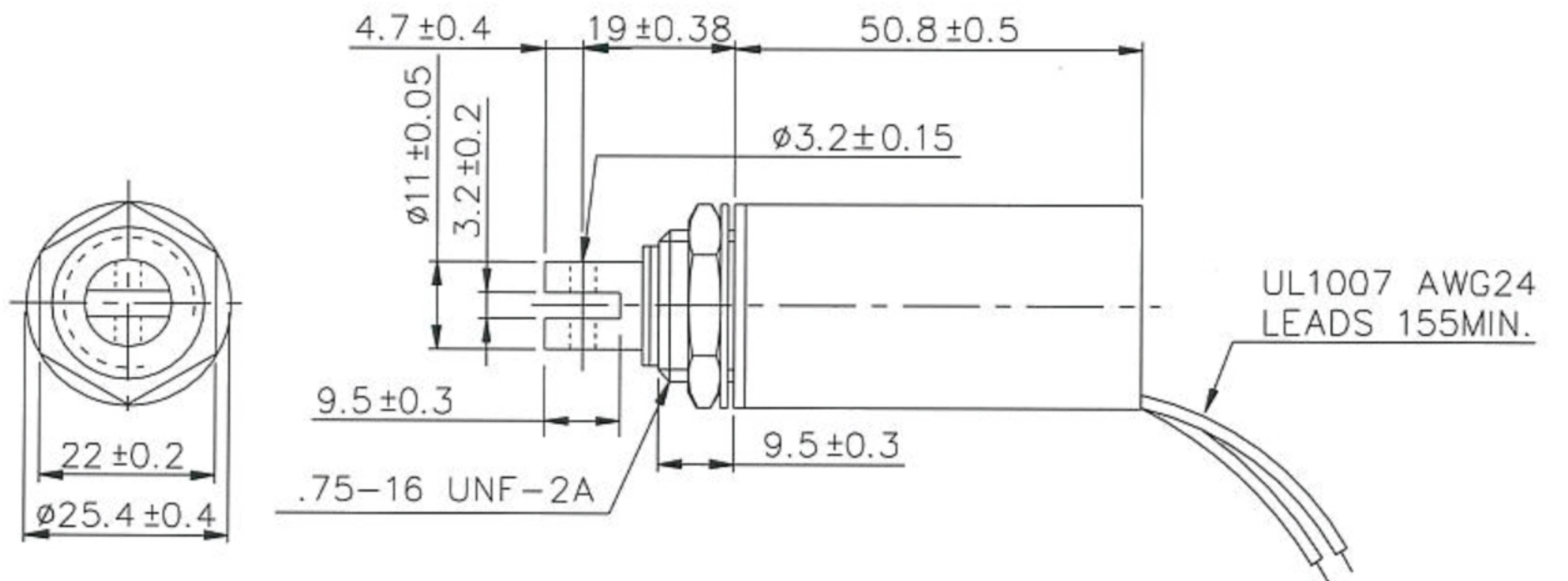
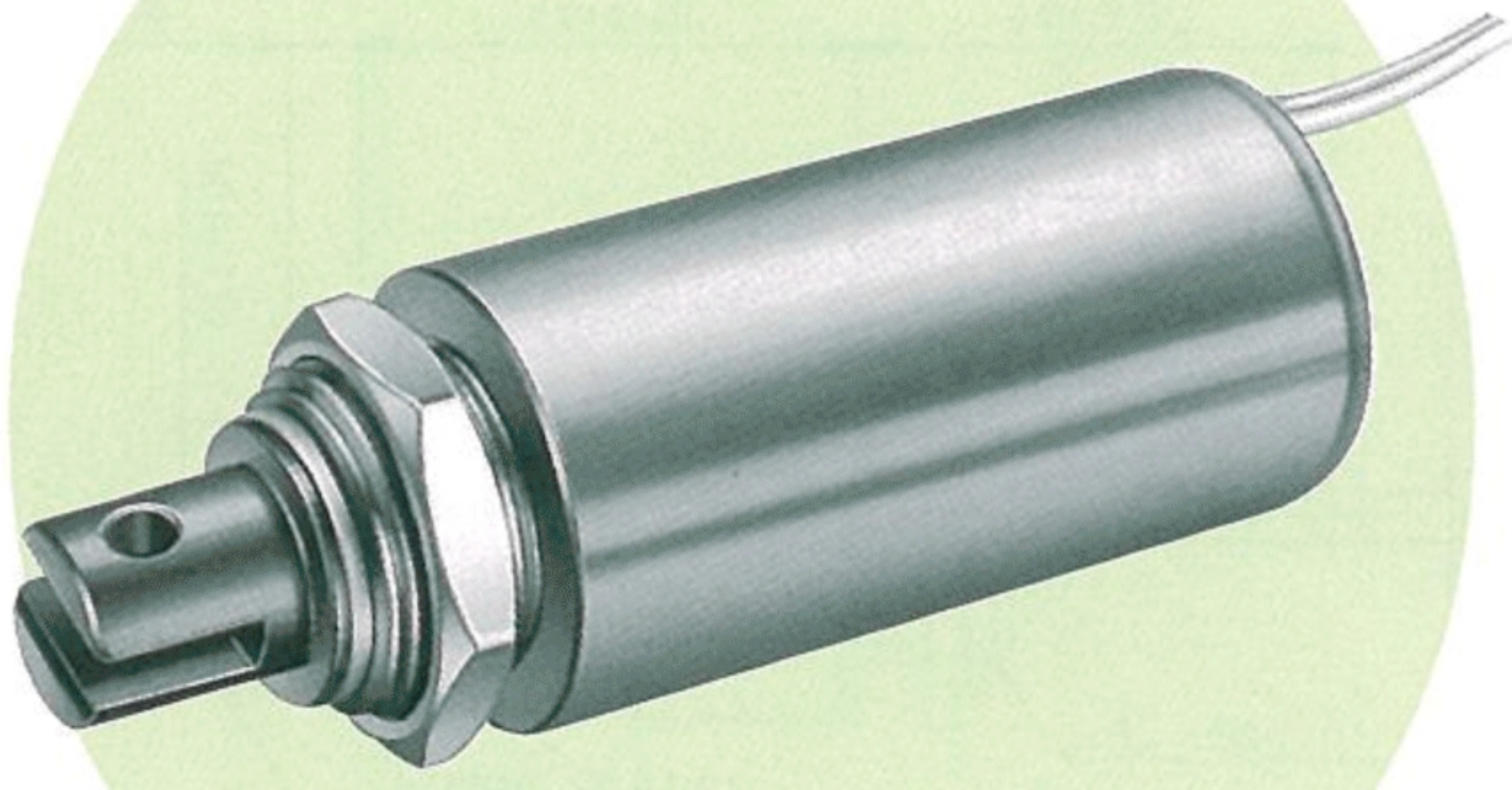


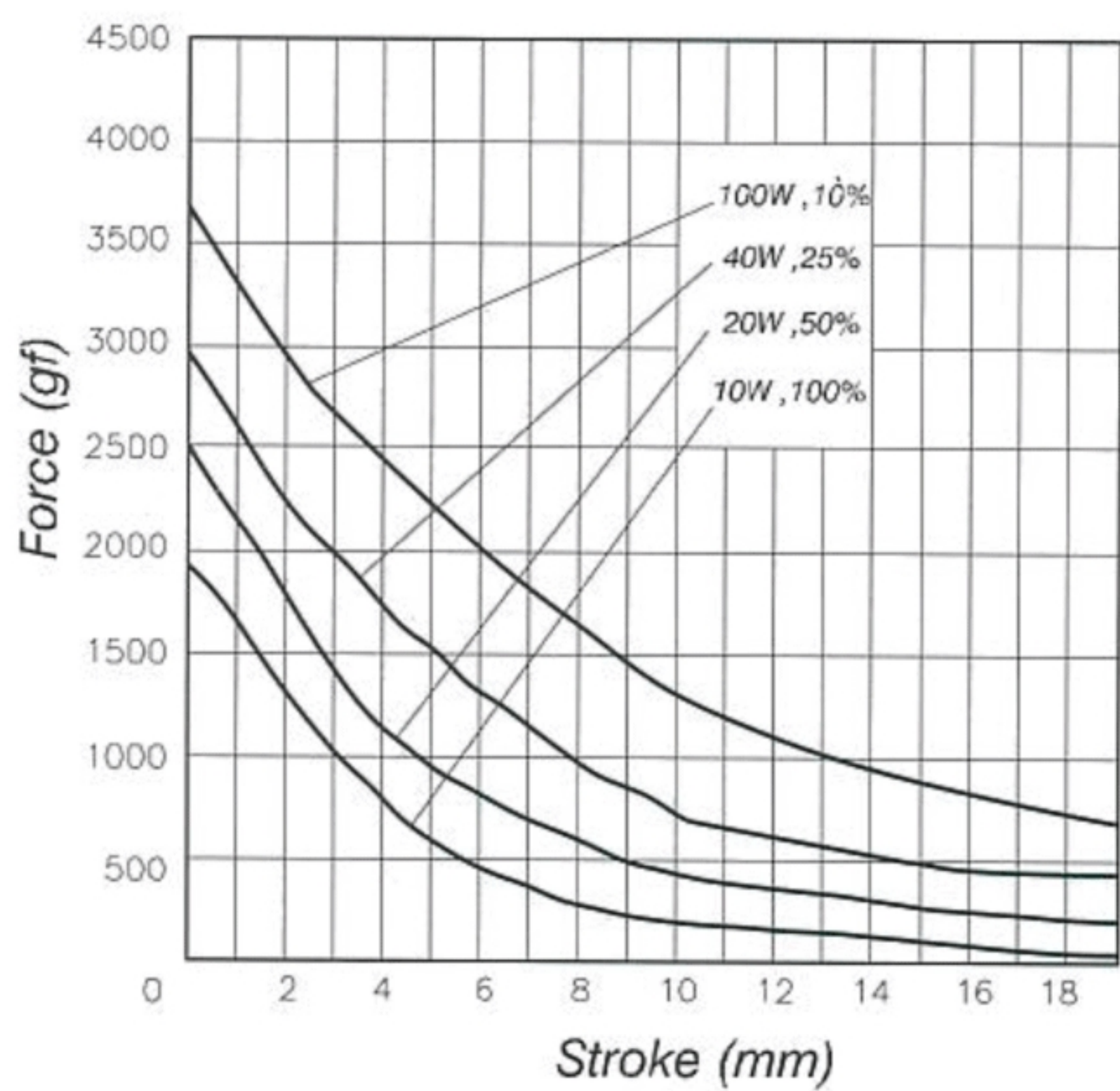
型号/Type no: HTT-2551L



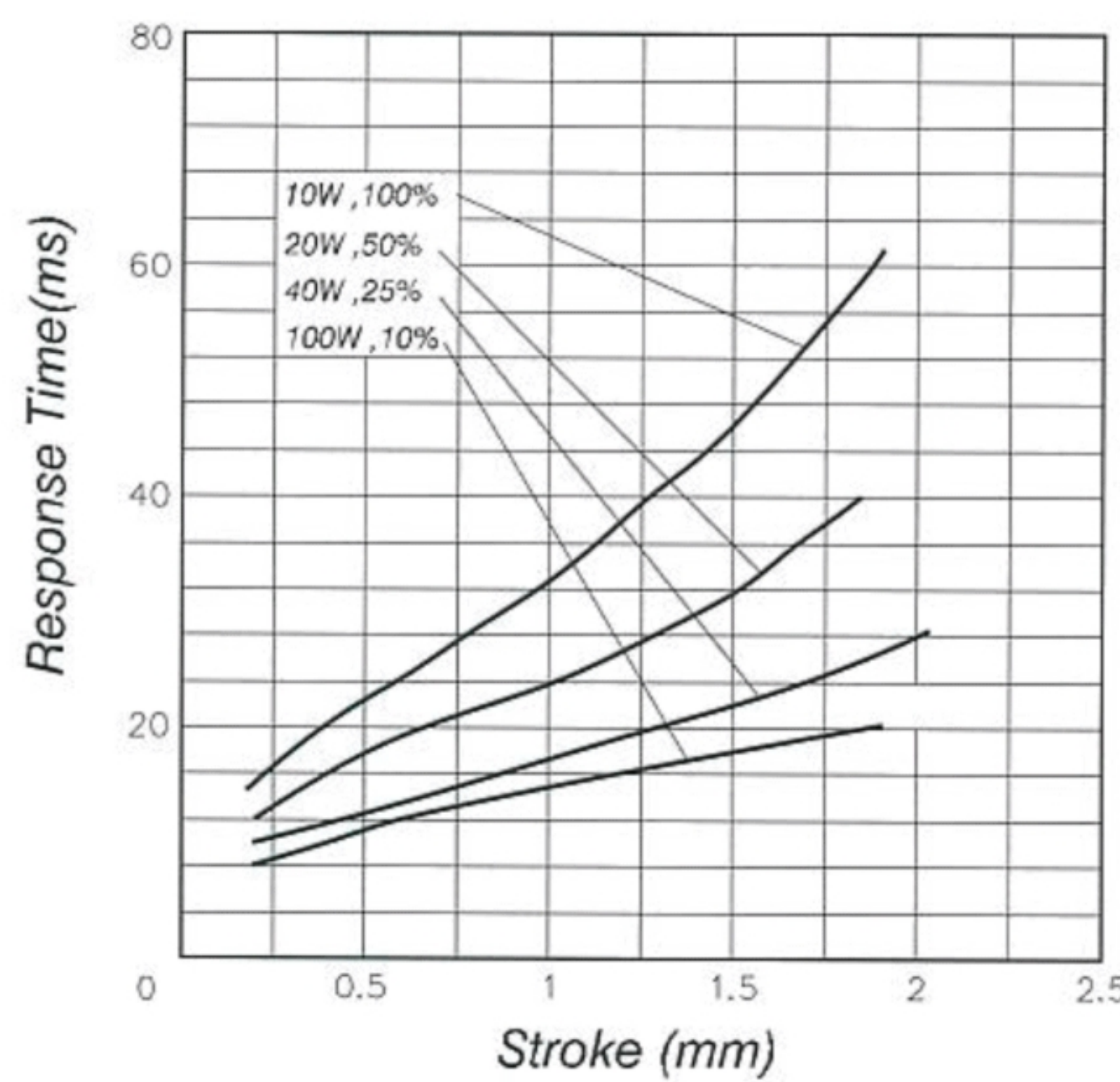
Plunger Weight 可动铁心重量 : 43g
 Total Weight 总重量 : 178g

Shown Energized 通电状态 UNIT 单位: mm

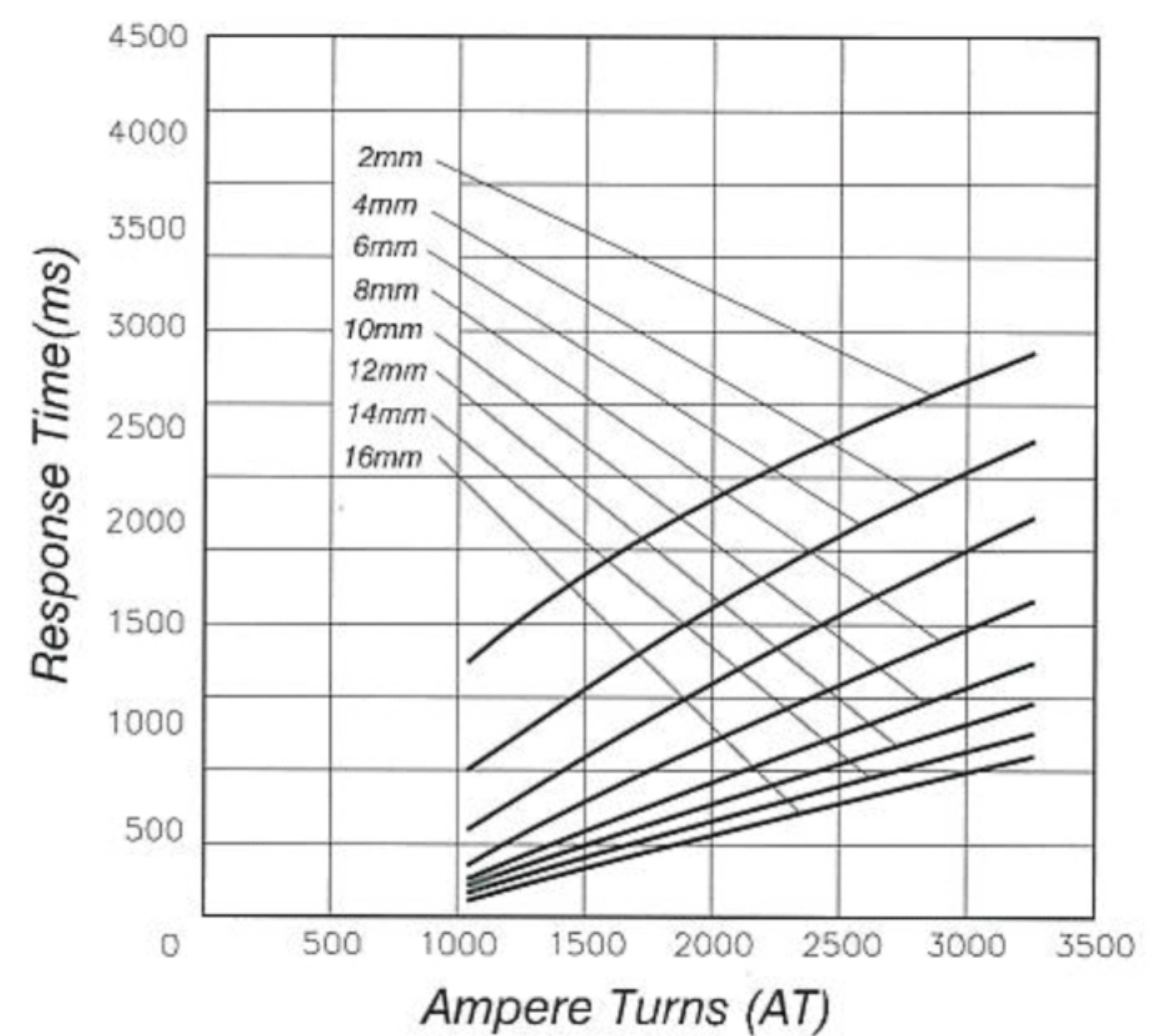
STROKE Vs FORCE 行程 / 吸引力



STROKE Vs RESPONSE TIME 行程 / 反应时间



AMPERE-TURNS Vs FORCE 安-匝 / 吸引力



COIL DATA 线圈资料

Heat Sink: 100 × 100 × 3mm (aluminum)
 散热片: 100 × 100 × 3mm (铝)

Duty cycle (%) = $\frac{\text{"ON" time}}{\text{"ON" time} + \text{"OFF" time}} \times 100\%$	Continuous (100%)	Or less (50%)	Or less (25%)	Or less (10%)		
作动周期(%) = $\frac{\text{ON 时间}}{\text{ON 时间} + \text{OFF 时间}} \times 100\%$	连续 (100%)	间断 (50%)	间断 (25%)	间断 (10%)		
MAX. "on" time in seconds 最大 ON 时间 (秒)	∞	360	32	8		
Watts at 20°C 瓦特数(W) (在 20°C)	10	20	40	100		
Ampere-turns at 20°C AT 值 (在 20°C)	1090	1541	2180	3447		
Type no.	Resistance (20°C) Ω ± 10%	No. turns	Volts DC 电压			
型号	阻值 (Ω) ± 10%	绕线圈数				
HTT-2551S06AA	3.6	654	6	8.5	12	19
HTT-2551S12AA	14.4	1309	12	17	24	38
HTT-2551S24AA	57.6	2614	24	34	48	76
HTT-2551S48AA	230.4	5240	48	68	96	152