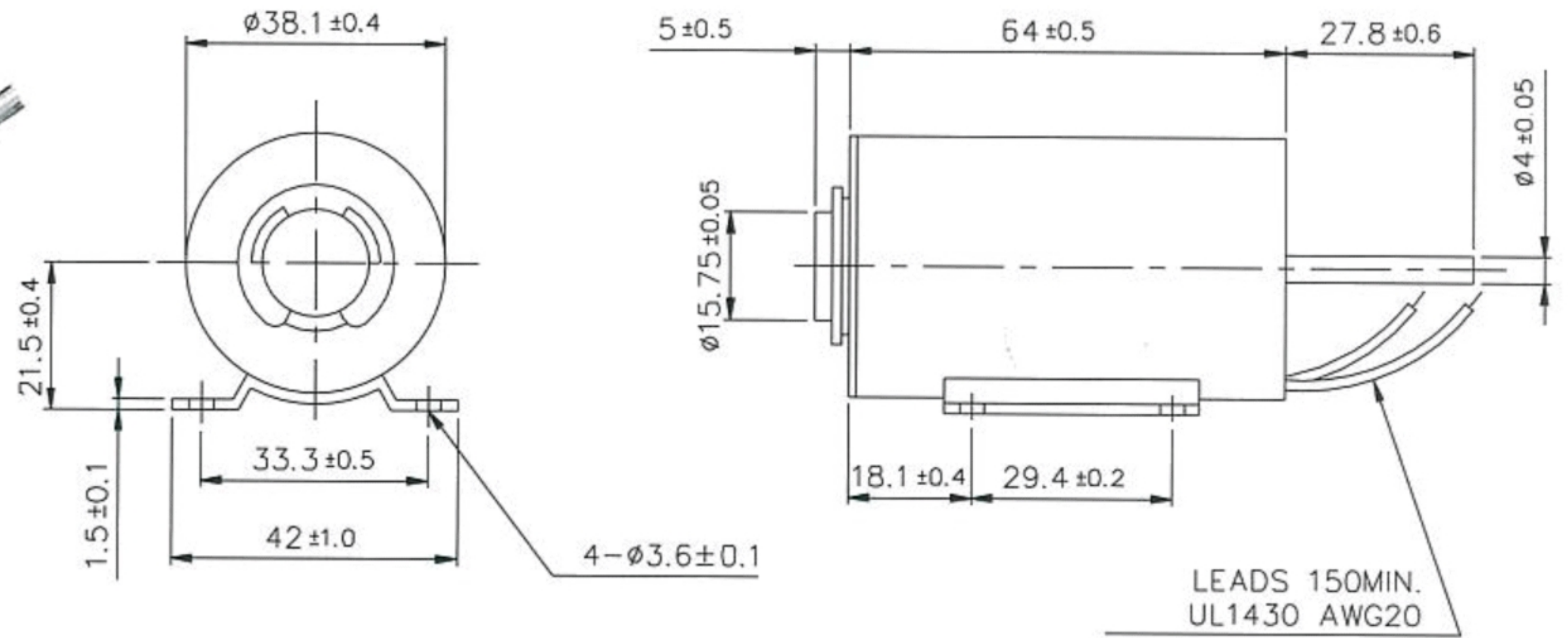
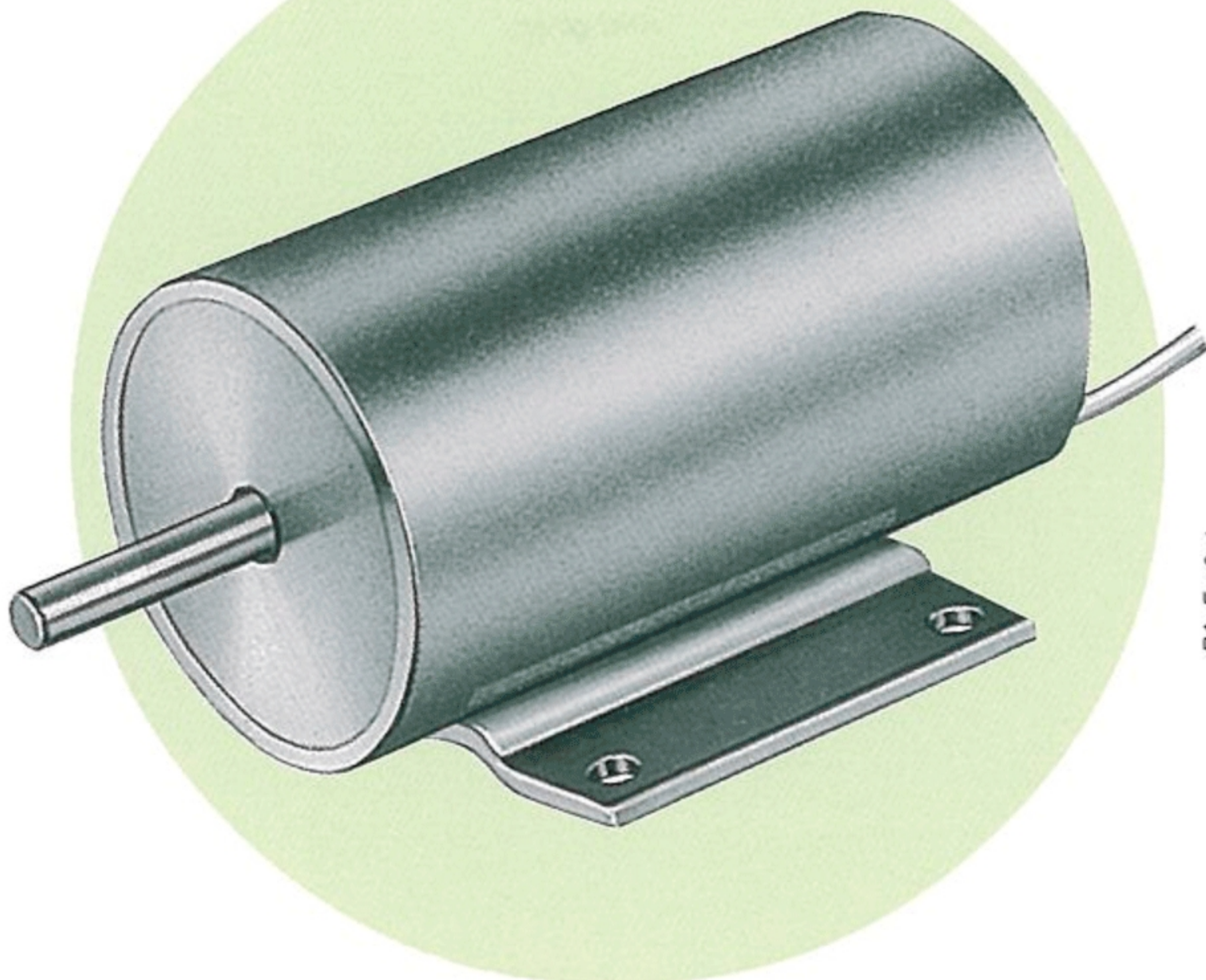


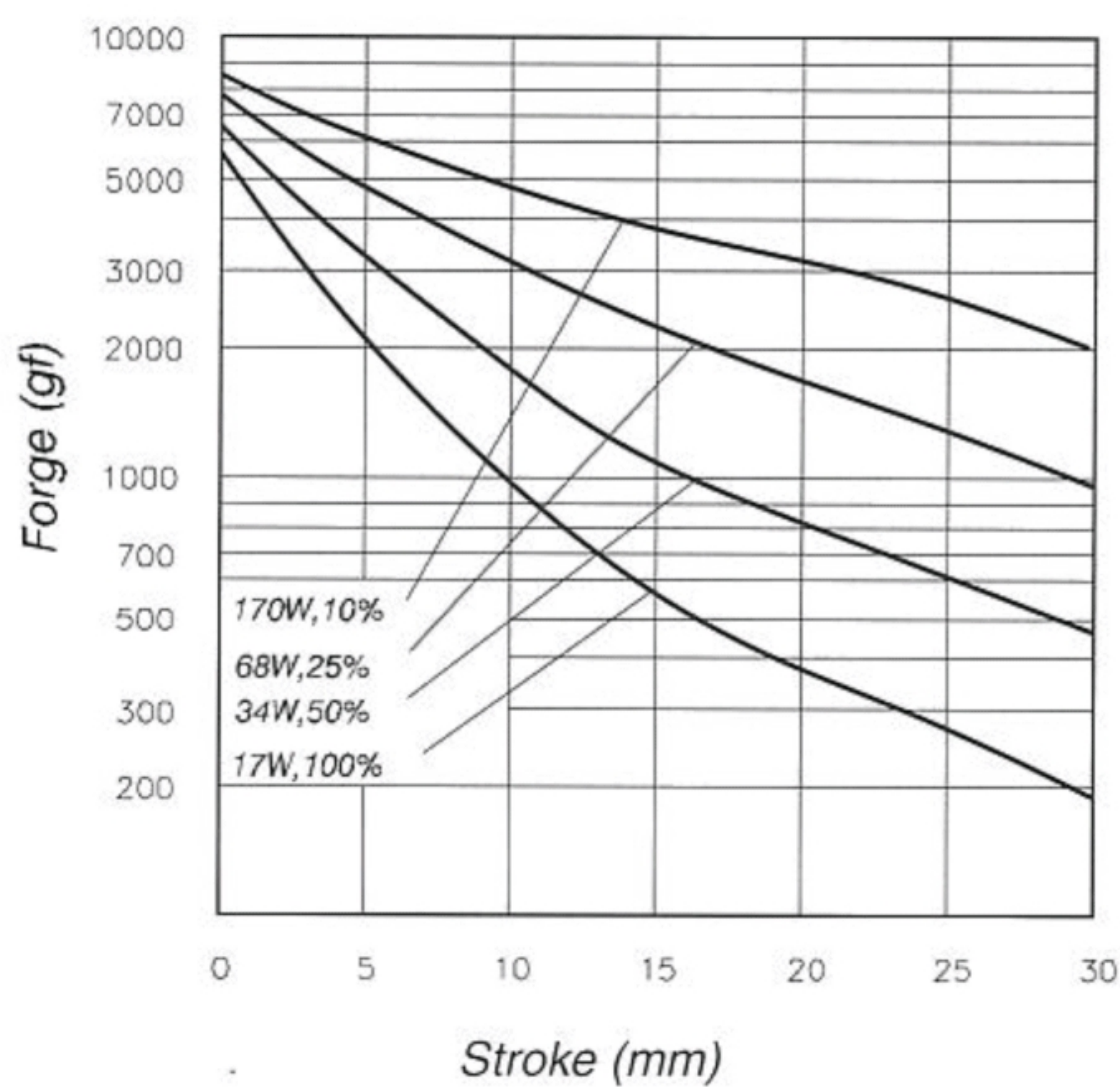
## 型号/Type no: HTT-3864S



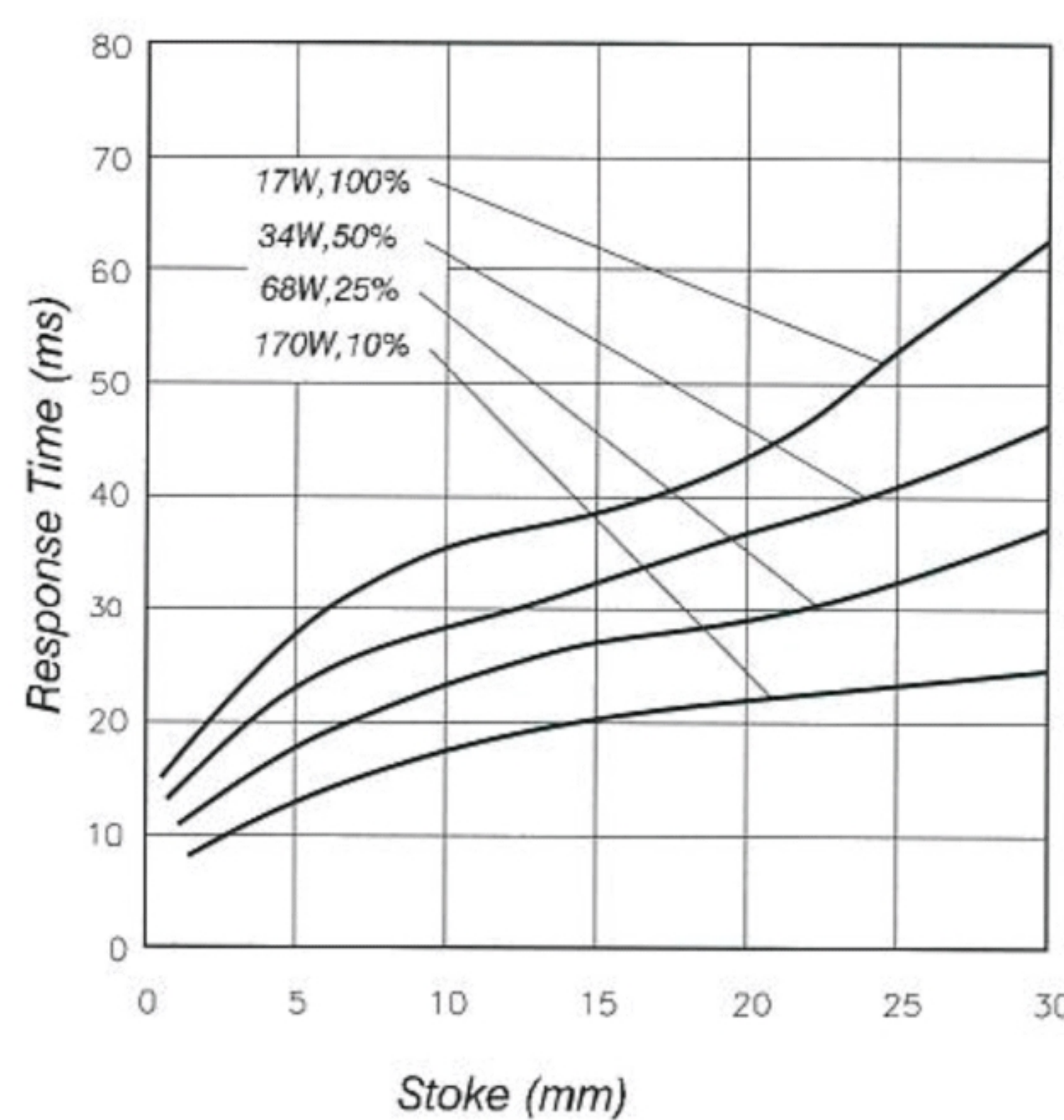
Plunger Weight 可动铁心重量 : 95g  
Total Weight 总重量 : 497g

Shown Energized 通电状态 UNIT 单位: mm

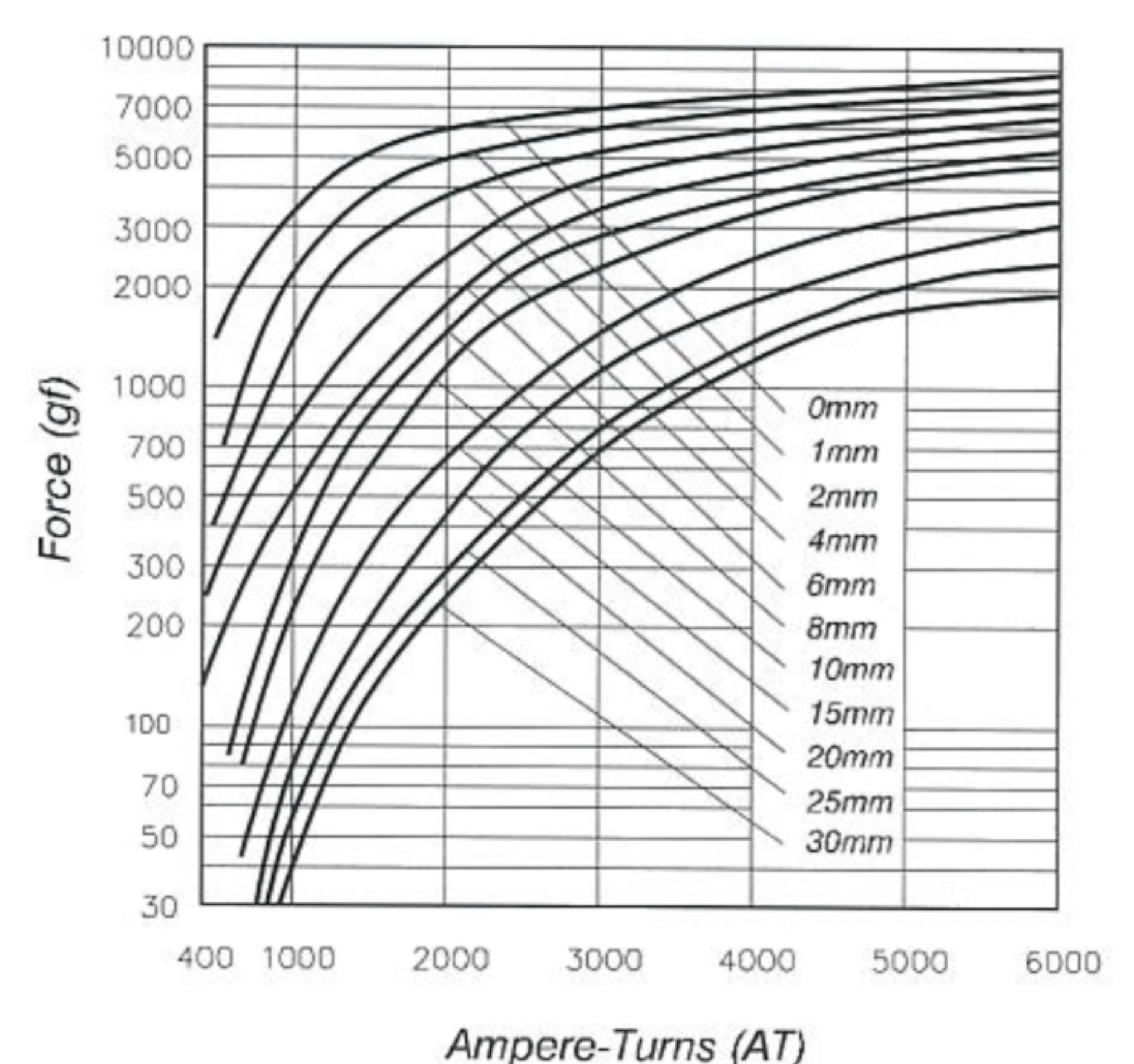
### STROKE Vs FORCE 行程 / 吸引力



### STROKE Vs RESPONSE TIME 行程 / 反应时间



### AMPERE-TURNS Vs FORCE 安-匝 / 吸引力



Heat Sink: 150 × 150 × 3mm (aluminum)  
散热片: 150 × 150 × 3mm (铝)

### COIL DATA 线圈资料

Duty cycle (%) = $\frac{\text{"ON" time}}{\text{"ON" time} + \text{"OFF" time}} \times 100\%$		Continuous (100%)	Or less (50%)	Or less (25%)	Or less (10%)	
作动周期(%) = $\frac{\text{ON 时间}}{\text{ON 时间} + \text{OFF 时间}} \times 100\%$		连续 (100%)	间断 (50%)	间断 (25%)	间断 (10%)	
MAX. "on" time in seconds 最大 ON 时间 (秒)		∞	420	100	25	
Watts at 20°C 瓦特数(W) (在 20°C)		17	34	68	170	
Ampere-turns at 20°C AT 值 (在 20°C)		1800	2546	3600	5692	
Type no.	Resistance (20°C) Ω ± 10%	No. turns	Volts DC 电压			
型号	阻值 (Ω) ± 10%	绕线圈数				
HTT-3864L06AA	2.1	630	6	8.5	12	19
HTT-3864L12AA	8.5	1275	12	17	24	38
HTT-3864L24AA	34	2550	24	34	48	76
HTT-3864L48AA	136	5100	48	68	96	152